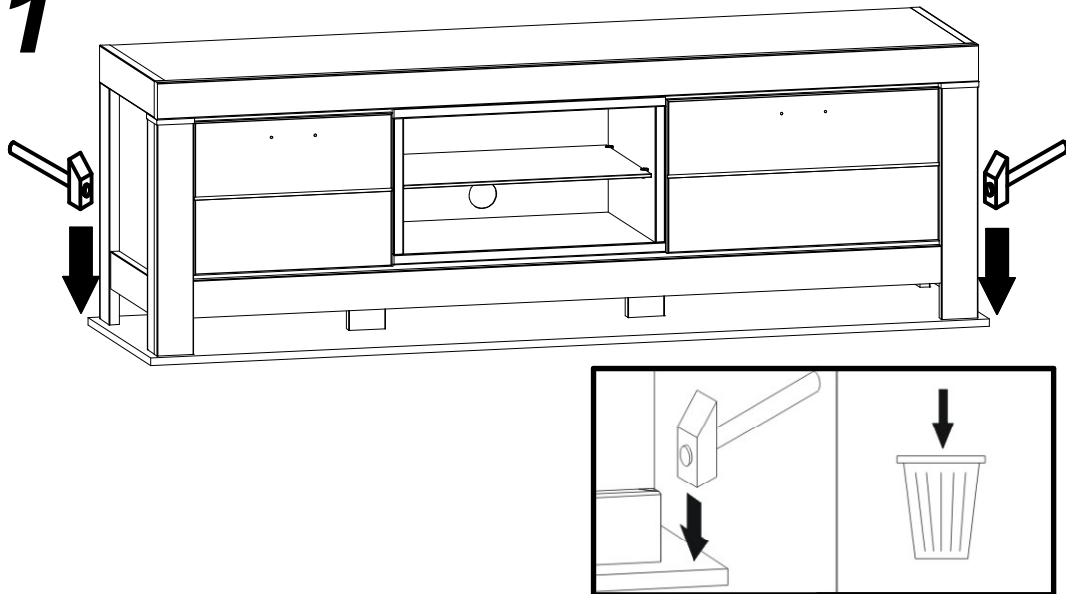


A	B	C (mm)		D
1	S271-0010	330	435	1/1
2	S271-0011	330	597	1/1
3	S271-1056	493	450	1/1
4	S271-1057	292	384,	1/1
5	S271-1060	493	450	1/1
6	S271-1062	400,5	370	1/1
7	S271-1063	400,5	370	1/1
8	S271-1064	400,5	370	1/1
9	S271-1066	292	384,	1/1
10	S271-2057	1756,	450	1/1
11	S271-2058	596	386	1/1
12	S271-2059	596	386	1/1
13	S271-3055	1724	370	1/1
14	S271-3056	545	366	1/1
15	S271-5051	450	80	1/1
16	S271-5052	508	80	1/1
17	S271-5053	498	58,	1/1
18	S271-5058	312	80,	1/1
19	S271-5059	155	80	1/1
20	S271-5061	498	80	1/1
21	S271-5063	498	80	1/1
22	S271-5064	1801,	80	1/1
23	S271-5065	1641,	80,	1/1
24	S271-5066	619	40	1/1
25	S271-5067	482	40	1/1
26	S271-9053	419,	1734,	1/1
27	WSP-9146	557	358	1/1
28	WSQ8-505	350	220	1/1
29	WSQ8-506	350	220	1/1
30	WTQ-5224	289	87	1/1
31	S271-5093	155	80	1/1

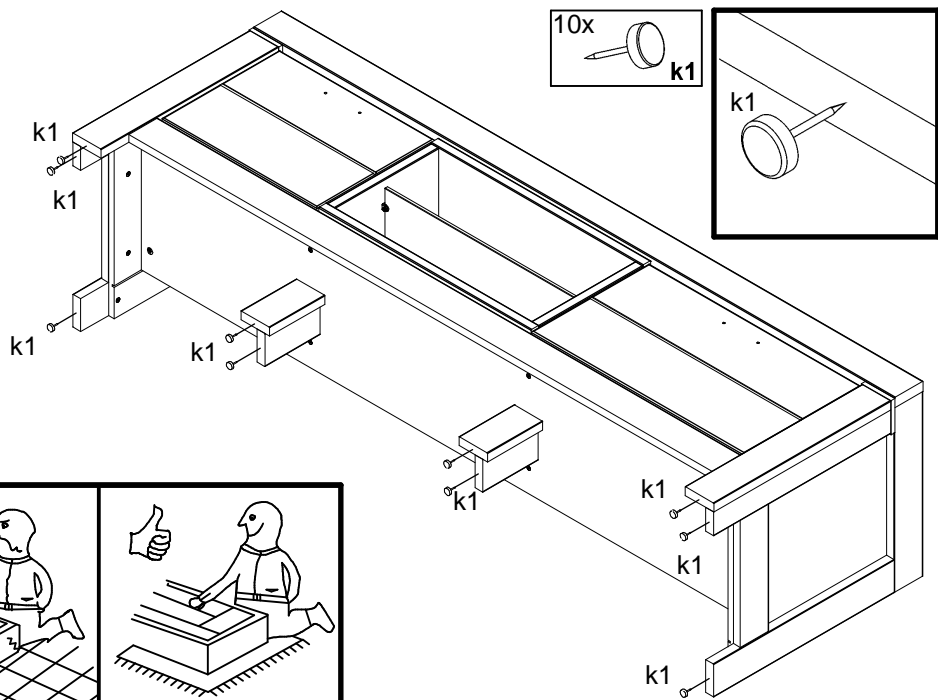
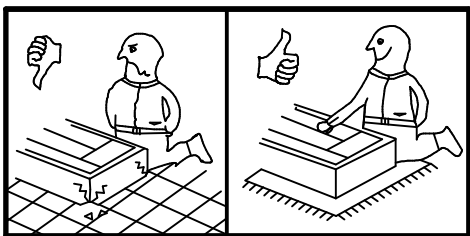
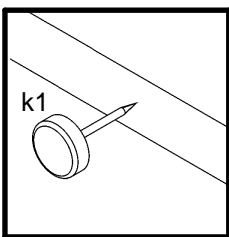
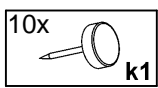
- 2x c429\3
- 4x j30
- 10x k1
- 1x o80\3
- 1x 5W o75\2
- 2x p55
- 3x s1
- 3x s2
- 2x n14\2
- 4x p38
- 2x f35
- 2x p17



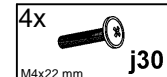
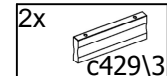
1



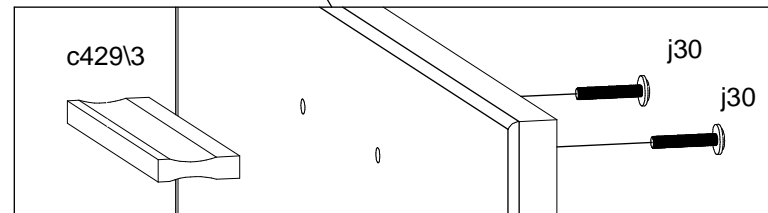
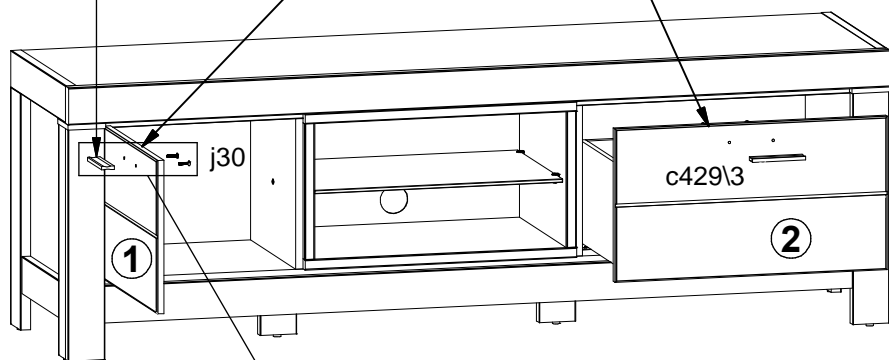
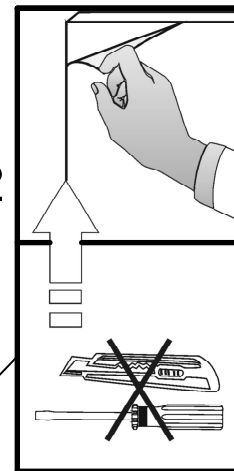
2



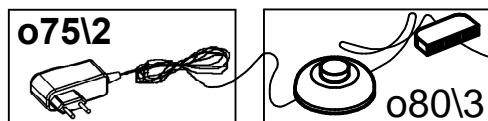
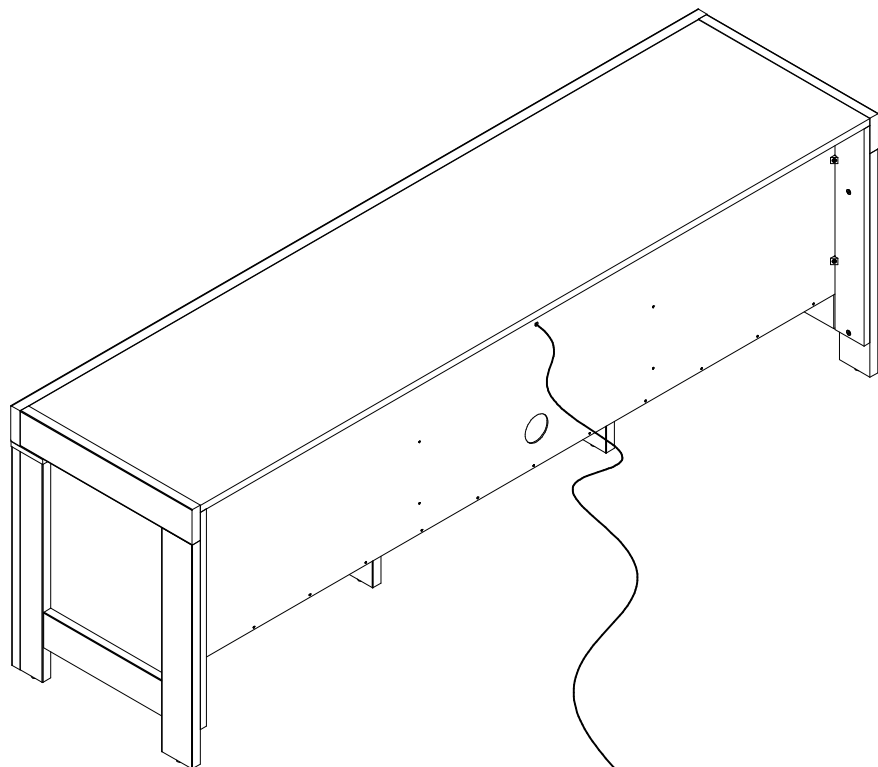
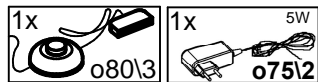
3



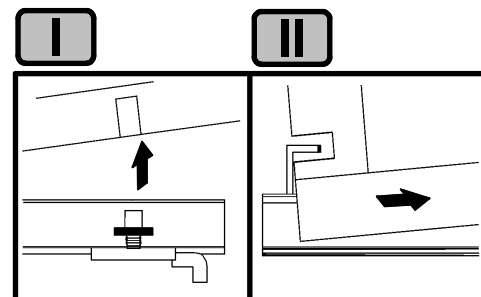
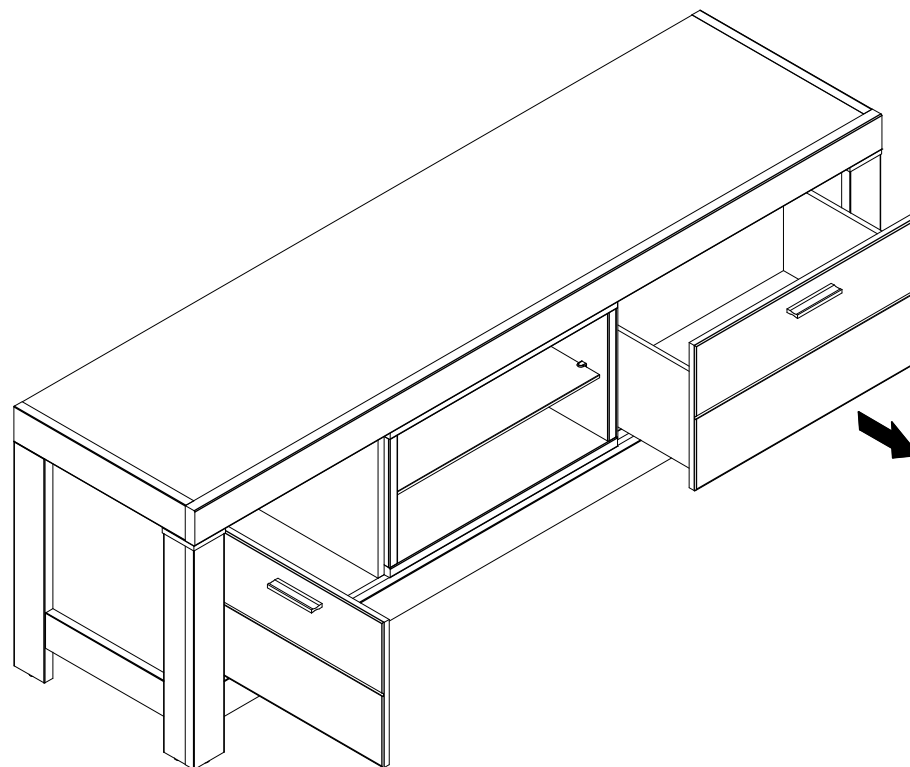
40543W32



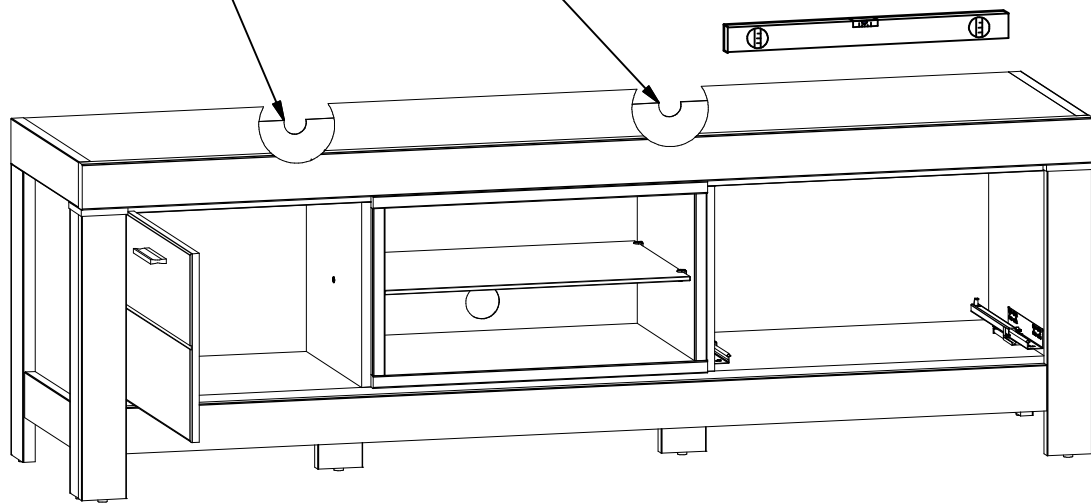
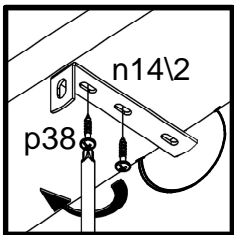
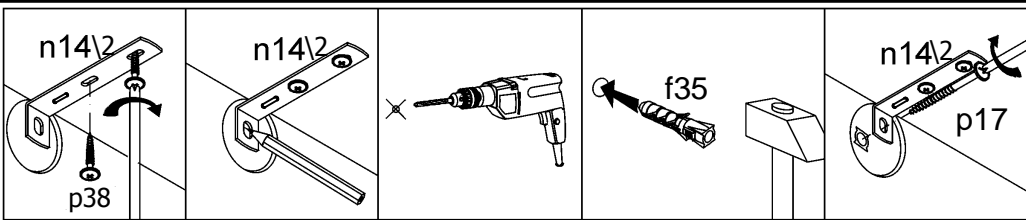
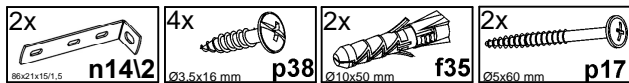
4



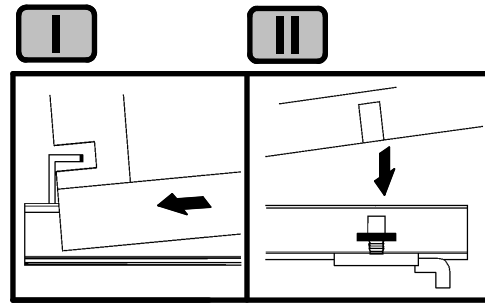
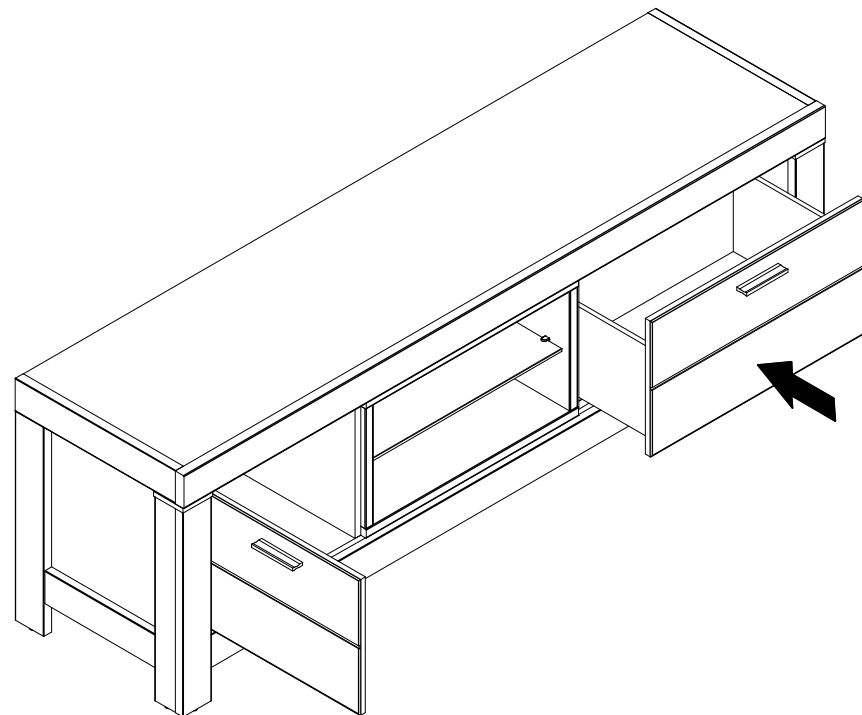
5



6



7



8

